



Maxx Cold X-series | The Legacy Companies
 3355 Enterprise Avenue, Suite 160, Fort Lauderdale, FL 33331
 (954) 202-7419 • Fax (954) 202-7337 • (877) 600-8401
 www.MaxximumFoodService.com • Info@MaxxColdFoodService.com

Project Name: _____

Location: _____

Item #: _____ Qty: _____

Model: _____

GLASS DOOR MERCHANDISER | 23 Cu Ft REFRIGERATOR

Model: MXM1-23R MXM1-23RB
 (Color: Black)

International Model: Add -50 (220V/50Hz/1Ph)



MXM1-23R



MXM1-23RB
 (Color: Black)

Glass Door merchandisers are designed for durability and visual appeal in promoting your product. Glass door merchandisers are energy efficient and effective at keeping product at exactly the right temperature. This keeps food fresher for longer. The simple-to-use but precise digital controls allows for accuracy in temperature and flexible use of the unit.

FEATURES

- Hinged Door Models: Self-closing, magnetic gasket
- Double pane heated glass glass doors enhance energy efficiency by preventing heat transfers and minimizing condensation
- Interior LED lighting
- Bottom mounted oversized compressor
- (4) shelves. Heavy-duty, PE (polyethylene) coated wire shelves
- Pre-programmed automatic defrost cycle for ideal, trouble-free storage conditions
- Temperature reading visible from up to 15 feet away
- Door lock
- Adjustable feet for uneven flooring

TEMPERATURE

- Holding temperature: 32° to 40°F (0° to 4°C)
- Digitally controlled system maintains optimum temperature

CONSTRUCTION

- Exterior Material: Powder coated steel.
- Interior Material: Powder coated aluminum. Easy to clean, low maintenance.

REFRIGERANT

- CFC & HCFC free R-134A

ELECTRIC

Single Door: 115/60Hz/1 Ph (NEMA 5-15)



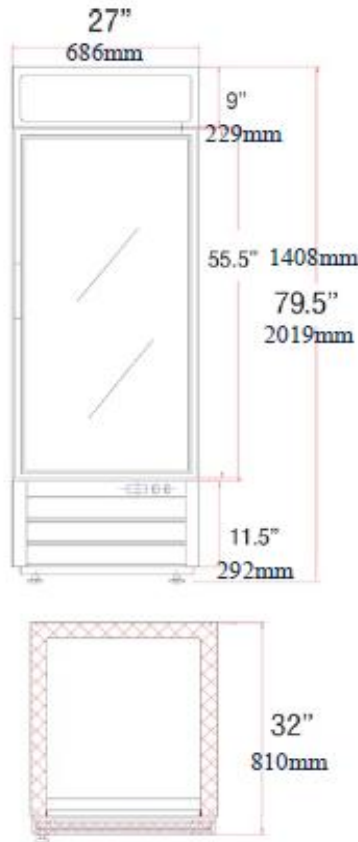
Maxx Cold X-Series WARRANTY (USA / CANADA)

One (1) year parts
 One (1) year on-site labor
 Four (4) years compressor (part only)
 Administered by The Legacy Companies, 877.368.2797

Due to periodic changes in designs, methods, procedures, policies and regulations, the specifications contained in this sheet are subject to change without notice. While we exercise good faith efforts to provide information that is accurate, we are not responsible for errors or omissions in information provided or conclusions reached as a result of using the specifications. By using the information provided, the user assumes all risks in connection with such use.

The built in performance enhancing functions ensure that given proper attention and preventative maintenance, each Maxx Product will deliver years of trouble free, reliable, low maintenance, efficient operation.

GLASS DOOR MERCHANDISER | 23 Cu Ft REFRIGERATOR



	MXM1-23R
In: External Dimensions W x D X H	27 x 32 x 79.5
mm: External Dimensions W x D X H	686 x 810 x 2019
In: Internal Dimensions W x D X H	22 x 27.5 x 53
mm: Internal Dimensions W x D X H	559 x 813 x 1346
Nominal Capacity	23 Cu Ft / 651 L
Doors	1
Shelves	(4) shelves
Amps (Watts)	6 Amps
Unit Weight	282 lb / 128 kg

Due to periodic changes in designs, methods, procedures, policies and regulations, the specifications contained in this sheet are subject to change without notice.
 While we exercise good faith efforts to provide information that is accurate, we are not responsible for errors or omissions in information provided or conclusions reached as a result of using the specifications.
 By using the information provided, the user assumes all risks in connection with such use.