



Maxx Cold X-series | The Legacy Companies  
 3355 Enterprise Avenue, Suite 160, Fort Lauderdale, FL 33331  
 (954) 202-7419 • Fax (954) 202-7337 • (877) 600-8401  
 www.MaxximumFoodService.com • Info@MaxxColdFoodService.com

Project Name: \_\_\_\_\_

Location: \_\_\_\_\_

Item #: \_\_\_\_\_ Qty: \_\_\_\_\_

Model: \_\_\_\_\_

# GLASS DOOR MERCHANDISER | 16 Cu Ft FREEZER

Model:  MXM1-16F  MXM1-16FB

International Model: Add -50 (220V/50Hz/1Ph)



MXM1-16F



MXM1-16FB  
(Color: Black)

Glass Door merchandisers are designed for durability and visual appeal in promoting your product. Glass door merchandisers are energy efficient and effective at keeping product at exactly the right temperature. This keeps food fresher for longer. The simple-to-use but precise digital controls allows for accuracy in temperature and flexible use of the unit.

## FEATURES

- Hinged Door Models: Self-closing, magnetic gasket
- Triple pane heated glass glass doors enhance energy efficiency by preventing heat loss and minimizing condensation
- Interior LED lighting
- Bottom mounted oversized compressor
- (3) shelves. Heavy-duty, PE (polyethylene) coated wire shelves
- Pre-programmed automatic defrost cycle for ideal, trouble-free storage conditions
- Temperature reading visible from up to 15 feet away
- Door lock
- Adjustable feet for uneven flooring

## TEMPERATURE

- Holding temperature: -0° to 10°F (-18° to 12°C)
- Digitally controlled system maintains optimum temperature

## CONSTRUCTION

- Exterior Material: Powder coated steel.
- Interior Material: Powder coated aluminum. Easy to clean, low maintenance.

## REFRIGERANT

- CFC & HCFC free R-404A

## ELECTRIC

Single Door: 115/60Hz/1 Ph (NEMA 5-15)



NEMA 5-15P



Intertek  
Certified to  
ANSI-NSF 7



ETL  
LISTED  
Certified to  
ANSI UL 471



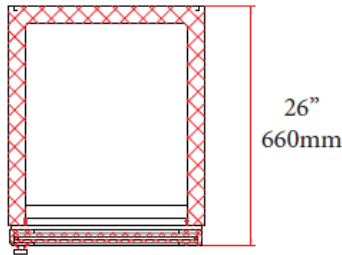
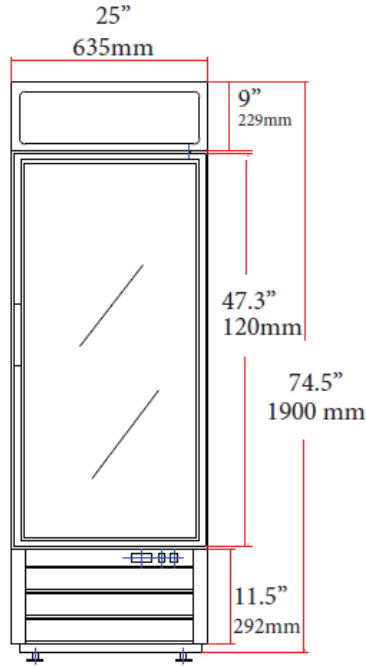
## Maxx Cold X-Series WARRANTY (USA / CANADA)

One (1) year parts  
 One (1) year on-site labor  
 Four (4) years compressor (part only)  
 Administered by The Legacy Companies, 877.368.2797

Due to periodic changes in designs, methods, procedures, policies and regulations, the specifications contained in this sheet are subject to change without notice. While we exercise good faith efforts to provide information that is accurate, we are not responsible for errors or omissions in information provided or conclusions reached as a result of using the specifications. By using the information provided, the user assumes all risks in connection with such use.

The built in performance enhancing functions ensure that given proper attention and preventative maintenance, each Maxx Product will deliver years of trouble free, reliable, low maintenance, efficient operation.

# GLASS DOOR MERCHANDISER | 16 Cu Ft FREEZER



	<b>MXM1-16F</b>
<b>In: External Dimensions W x D X H</b>	25 x 26 x 75
<b>mm: External Dimensions W x D X H</b>	635 x 660 x 1900
<b>Nominal Capacity</b>	16 Cu Ft / 453 L
<b>Doors</b>	1
<b>Shelves</b>	(3) shelves
<b>Amps (Watts)</b>	11 Amps
<b>Unit Weight</b>	243 lb / 110 kg

Due to periodic changes in designs, methods, procedures, policies and regulations, the specifications contained in this sheet are subject to change without notice.  
 While we exercise good faith efforts to provide information that is accurate, we are not responsible for errors or omissions in information provided or conclusions reached as a result of using the specifications.  
 By using the information provided, the user assumes all risks in connection with such use.