

MOBILE ICE CREAM FREEZERS Flat Glass Sliding Lids

Model: MXF31F MXF52F MXF71F International Model: Add -50 (220V/50Hz/1Ph) or -60 (220V/60Hz/1Ph)



MXF31F



MXF52F



MXF71F

Mobile Ice Cream Freezers with transparent, flat glass sliding lids offer an attractive way to display or serve ice cream product. Perfect for ice cream parlors, sorbet shops, gelato stations, restaurants, and concession stands. These cabinets can hold hand-dipped ice cream or novelties. The sliding clear glass top allows customers to easily view your offerings.

FEATURES

- Flat, tempered clear glass sliding lids
- Lid lock and keys
- Interior LED lights makes it easier to see selection and enhance product's appearance
- Molded plastic lid frame heated to prevent frost or ice build-up
- Internal condensate evaporator pan. No need for a floor drain.
- Bottom defrost drain with plug
- Dual heavy-duty casters, two locking
- Removable rubber bumper guards, grill side

TEMPERATURE

- Adjustable temperature range -18°F to +10°F (-28°C to -12°C)
- Thermometer display: external, analog, easily read

CONSTRUCTION

- Exterior Material: durable, white zinc coated, baked on enamel steel
- Interior Material: painted white power coated steel
- Flat wire baskets with 3 compartments
- Insulation: Thick, 2.5" foamed in-place, environmentally friendly, polyurethane

OPTIONS

- Tub Holders / Skirts
 - MXF31F – Option 2 / 2
 - MXF52F – Option 3 / 3
 - MXF71F – Option 6 / 6
- Custom Graphics
- Zeroll Scoops & Spades

REFRIGERANT

- MXF31F and MXF52F: CFC-Free R-134A
- MXF71F: CFC-Free R-404A

ELECTRIC

- 115/120V/60Hz/1-ph, NEMA 5-15P
- 6-1/2 ft power cord and plug set

Also available:

- 220V/50Hz/1-ph
- 220V/60Hz/1-ph

An appropriate Int'l Cord Set and plug to be provided when specified on the order. If no Cord Set or Plug is specified, NEMA 5-15 is the default.



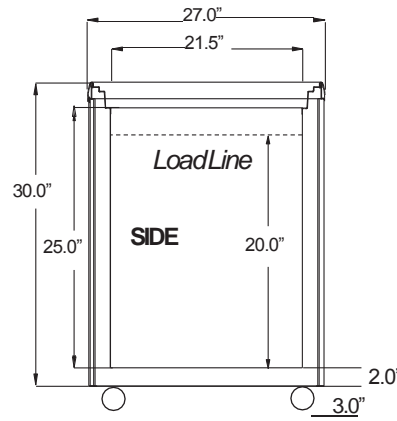
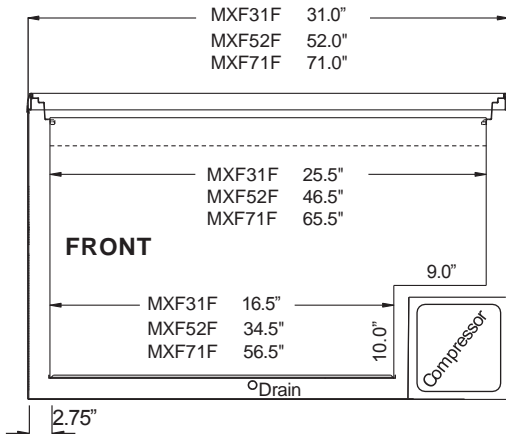
Maxx Cold X-Series WARRANTY (USA / CANADA)

One (1) year parts
One (1) year on-site labor
Four (4) years compressor (part only)
Administered by The Legacy Companies, 877.368.2797

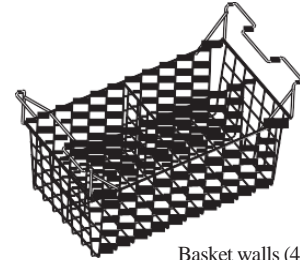
Due to periodic changes in designs, methods, procedures, policies and regulations, the specifications contained in this sheet are subject to change without notice. While we exercise good faith efforts to provide information that is accurate, we are not responsible for errors or omissions in information provided or conclusions reached as a result of using the specifications. By using the information provided, the user assumes all risks in connection with such use.

The built in performance enhancing functions ensure that given proper attention and preventative maintenance, each Maxx Product will deliver years of trouble free, reliable, low maintenance, efficient operation.

MOBILE ICE CREAM FREEZERS Flat Glass Sliding Lids



MSF Standard Basket Configuration



- Basket walls (4)
11.3"W x 22.6"D x 13.3"H
- Vertical fixed divider (1)
19.6"D x 8.3"H
- Horizontal fixed half divider (1)
5.6"W x 8.3"H

	MXF31F	MXF52F	MXF71F
# of Novelty Baskets / Dividers	2 / 2	4 / 2	5 / 2
Tubs Exposed for Scooping	4	8	12
Tubs Storage	2	6	10
External Dimensions W x D x H	31.0" x 27.0" x 33.0"	52.0" x 27.0" x 33.0"	71.0" x 27.0" x 33.0"
mm: External Dimensions W x D x H	787.4mm x 685.8mm x 838.2mm	1320.8mm x 685.8mm x 838.2mm	1803.4mm x 685.8mm x 838.2mm
In: Internal Dimensions W x D x H	25.5" x 21.5" x 26.5"	46.5" x 21.5" x 26.5"	65.5" x 21.5" x 26.5"
mm: Internal Dimensions W x D x H	647.7mm x 546.1mm x 673.1mm	1181.1mm x 546.1mm x 673.1mm	1663.7mm x 546.1mm x 673.1mm
Gross Cubic Feet	7.5	14.0	20.0
Net Cubic Feet	6.0	11.5	16.5
Amps	2.5 (1.1 – 220V)	4 (1.8 – 220V)	6.5 (3.2 – 220V)
Compressor H/P	1/3	1/3	2/3
Unit Weight	117 lb / 53 kg	162 lb / 73 kg	197 lb / 89 kg
Shipping Weight	130 lb / 59 kg	179 lb / 81 kg	219 lb / 99 kg



Grill Area Control Panel



Front Panel Temp Display



Industrial Double Casters



Front Internal LED Lights

OPTIONAL ACCESSORIES



Tubholder



Tubholder Skirt



Tubholder / Skirt Set

Fits around the top of cans to prevent ice cream from dripping to bottom of the cabinet.

Designed for optimum performance in climate controlled area at 85°F ambient and 55% relative humidity.
 Product design and specifications are subject to modification by manufacturer without prior notice.