

KOLD-DRAFT®

Project Name:

Location:

Item:

Qty:

Model:

KMXCR-27U / KMXCF-27U / KMXCR-27UD / KMXCF-27UD

UNDERCOUNTER REFRIGERATION



KMXCR-27U



KMXCF-27UD

FEATURES

KOLDRAFT Undercounter Refrigeration is designed for the ultimate in value. Temperature is digitally controlled and easily viewed from the exterior of the cabinet. Stainless steel exterior construction ensures years of long life and maximum durability. KOLDRAFT Undercounter Refrigeration provides unsurpassed quality at a value price.

- Stainless steel exterior and painted aluminum interior ensures years of long life and maximum durability
- Urethane insulated walls and doors

- Recessed Door Handles
- Adjustable, heavy duty epoxy coated shelves, one per section/door
- Four casters (2 locking, 2 non-locking)
- Easily serviced rear mounted compressor
- Utilizes environmentally friendly refrigerants using R134A for refrigerators and R404A for freezers
- Forced-air refrigeration
- Efficient cooling system (two or more fans)
- Self-contained
- Automatic defrost system
- Available in 220V/60Hz/1

Safety

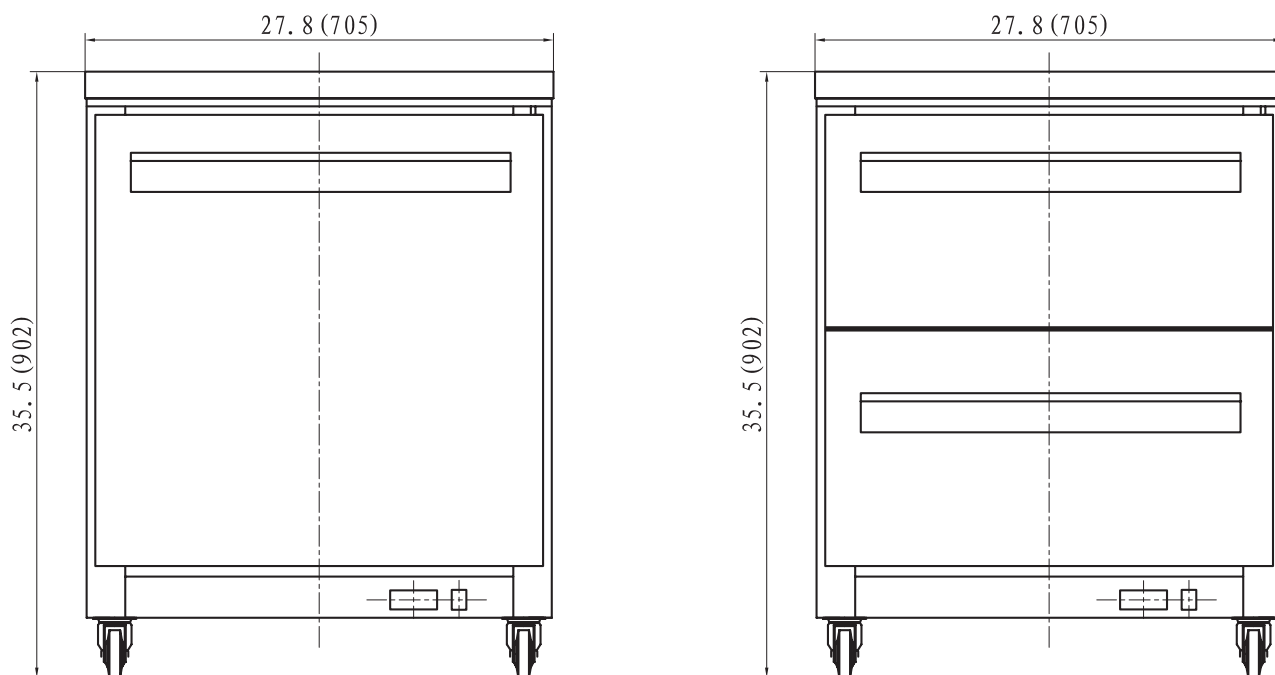
Environmental/Sanitation



Specifications subject to change without notice.

Approvals: UL, UL Sanitation Approved

DIMENSIONS



Model	Dim (W"xD"xH")	Capacity	Temp	Watts	Doors	Weight	Shipping Weight
KMXCR-27U Refrigerator	27.8 x 29.9 x 35.5 705 x 760 x 902 mm	6.5 Cu Ft 184 L	33° to 41°F .5° to 5°C	748	1	181 lb 82 kg	198.4 lb 90 kg
KMXCF-27U Freezer	27.8 x 29.9 x 35.5 705 x 760 x 902 mm	6.5 Cu Ft 184 L	-10° to 10° F -2° to -12° C	805	1	192 lb 87 kg	209.4 lb 95 kg
KMXCR-27UD Refrigerator	27.8 x 29.9 x 35.5 705 x 760 x 902 mm	6.5 Cu Ft 184 L	33° to 41°F .5° to 5°C	748	1	181 lb 82 kg	198.4 lb 90 kg
KMXCF-27UD Freezer	27.8 x 29.9 x 35.5 705 x 760 x 902 mm	6.5 Cu Ft 184 L	-10° to 10° F -2° to -12° C	805	1	192 lb 87 kg	209.4 lb 95 kg